

Tests [Edit Test](#)

[Tests](#) [Groups](#) [Links](#)

(2020) Primary 6 Maths (Term 1) - Pei Chun

[Add Questions](#)

[Assign](#)

[Settings](#)

[Review](#)

[Duplicate](#)

[Print](#)

[Delete](#)

[▶ Preview Test](#)

[↶ Assign Test](#)

Test Introduction

[+ Add Introduction](#)

28 Questions (28 Points)

Question Bank: 12,655 Questions

Test Questions

0 Test Assignments

Question 1

[Primary 6 Math](#) » Primary 6 Math (Term 1)

1 pt

Simplify the expression $7p + 12 + 16p - 5$

Accepted answers:

✓ $7+23p$

✓ $7+ 23P$

✓ $7 +23P$

✓ $7 + 23P$

Question Type: Free Text

Date Added: Wed 22nd Sep 2021

Last Modified: N/A

QID#: 29,097,510

[↶ Answers](#) | [✎ Edit](#) | [Duplicate](#) | [↶ Used In](#) | [↕ Reorder](#)

[Remove From Test](#)

Question 2

[Primary 6 Math](#) » Primary 6 Math (Term 1)

1 pt

Find the value of $\frac{3+8k}{5}$ when $k = 7$. Express your answer as a mixed number.

Accepted answers:

✓ 11 4/5

Question Type: Free Text
Date Added: Wed 22nd Sep 2021
Last Modified: N/A
QID#: 29,097,513

[Answers](#) | [Edit](#) | [Duplicate](#) | [Used In](#) | [Reorder](#)

[Remove From Test](#)

Question 3

Primary 6 Math » Primary 6 Math (Term 1)

1 pt

Find the value of $50 \div 2000$. Express your answer as a decimal

Accepted answers:

✓ 0.025

Question Type: Free Text
Date Added: Wed 22nd Sep 2021
Last Modified: N/A
QID#: 29,097,517

[Answers](#) | [Edit](#) | [Duplicate](#) | [Used In](#) | [Reorder](#)

[Remove From Test](#)

Question 4

Primary 6 Math » Primary 6 Math (Term 1)

1 pt

Round 235 490 to the nearest thousand

Accepted answers:

✓ 235000

Question Type: Free Text
Date Added: Wed 22nd Sep 2021
Last Modified: N/A
QID#: 29,097,519

[Answers](#) | [Edit](#) | [Duplicate](#) | [Used In](#) | [Reorder](#)

[Remove From Test](#)

Question 5

Primary 6 Math » Primary 6 Math (Term 1)

1 pt

Find the value of $\frac{1}{6} + \frac{2}{3}$.
Express your answer as a fraction in the simplest form.

Accepted answers:

- ✓ 1/4
- ✓ 1 / 4
- ✓ 1 /4
- ✓ 1 / 4

Question Type: Free Text
Date Added: Wed 22nd Sep 2021
Last Modified: N/A
QID#: 29,097,520

[Answers](#) | [Edit](#) | [Duplicate](#) | [Used In](#) | [Reorder](#)

[Remove From Test](#)

Question 6

Primary 6 Math » Primary 6 Math (Term 1)

1 pt

There are 24 boys and 16 girls in a class. What percentage of the pupils in the class are boys?

Accepted answers:

- ✓ 60%

Question Type: Free Text
Date Added: Wed 22nd Sep 2021
Last Modified: N/A
QID#: 29,097,521

Correctly answered feedback

24+16=40
24/40 x 100 = 60

Incorrectly answered feedback

24+16=40
24/40 x 100 = 60

[Answers](#) | [Edit](#) | [Duplicate](#) | [Used In](#) | [Reorder](#)

[Remove From Test](#)

Question 7

Primary 6 Math » Primary 6 Math (Term 1)

1 pt

Express 5.2 as a percentage

Accepted answers:

- ✓ 520%
- ✓ 520 %
- ✓ 520

Question Type: Free Text
Date Added: Wed 22nd Sep 2021
Last Modified: N/A
QID#: 29,097,522

Correctly answered feedback

5 2/10 = 520

Incorrectly answered feedback

5 2/10 = 520

[Answers](#) | [Edit](#) | [Duplicate](#) | [Used In](#) | [Reorder](#)

[Remove From Test](#)**Question 8**

Primary 6 Math » Primary 6 Math (Term 1)

1 pt

Write down all the common multiple(s) of 4 and 5 that is/are less than 30.

Accepted answers:

- ✓ 12.24

Question Type: Free Text
Date Added: Wed 22nd Sep 2021
Last Modified: N/A
QID#: 29,097,524

[Answers](#) | [Edit](#) | [Duplicate](#) | [Used In](#) | [Reorder](#)

[Remove From Test](#)**Question 9**

Primary 6 Math » Primary 6 Math (Term 1)

1 pt

Find the value of $\frac{3}{4} - \frac{2}{5}$.**Accepted answers:**

- ✓ 7/20

Question Type: Free Text
Date Added: Wed 22nd Sep 2021
Last Modified: N/A
QID#: 29,097,528

[Answers](#) | [Edit](#) | [Duplicate](#) | [Used In](#) | [Reorder](#)

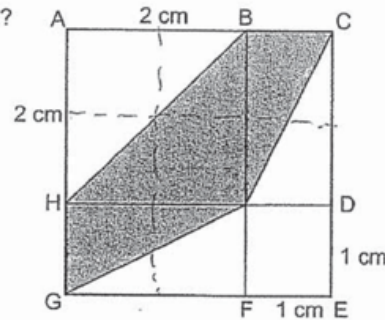
[Remove From Test](#)

Question 10

Primary 6 Math » Primary 6 Math (Term 1)

1 pt

Square ACEG is made up of 2 squares and 2 rectangles.
 AB = AH = 2 cm and DE = EF = 1 cm.
 What fraction of square ACEG is shaded?



Accepted answers:

✓ 4/9

Question Type: Free Text
Date Added: Wed 22nd Sep 2021
Last Modified: N/A
QID#: 29,097,530

[Answers](#) | [Edit](#) | [Duplicate](#) | [Used In](#) | [Reorder](#)

[Remove From Test](#)

Question 11

Primary 6 Math » Primary 6 Math (Term 1)

1 pt

The number of members in the running club increased from 80 to 100 last year. What was the percentage increase in the number of club members last year?

Accepted answers:

✓ 25%

✓ 25 %

✓ 25

Question Type: Free Text
Date Added: Wed 22nd Sep 2021
Last Modified: N/A
QID#: 29,097,535

Correctly answered feedback

100-80=20
20/80 x 100 = 25

Incorrectly answered feedback

100-80=20
20/80 x 100 = 25

[Answers](#) | [Edit](#) | [Duplicate](#) | [Used In](#) | [Reorder](#)

[Remove From Test](#)

Question 12

Primary 6 Math » Primary 6 Math (Term 1)

1 pt

Mei Hua had \$6y. After buying some cloth at \$5 per metre, she had \$2y left. How many metres of cloth did she buy? Express your answers in terms of y.

Accepted answers:

- ✓ 4y/5 m
- ✓ 4y/5m

Question Type: Free Text
Date Added: Wed 22nd Sep 2021
Last Modified: N/A
QID#: 29,097,540

[Answers](#) | [Edit](#) | [Duplicate](#) | [Used In](#) | [Reorder](#)

[Remove From Test](#)

Question 13

Primary 6 Math » Primary 6 Math (Term 1)

1 pt

Mrs Lim bought 30 pencils at \$0.24 each. How much change did Mrs Lim receive after paying for the 30 pencils with a \$10 note?

Accepted answers:

- ✓ \$2.80
- ✓ \$ 2.80
- ✓ 2.80

Question Type: Free Text
Date Added: Wed 22nd Sep 2021
Last Modified: N/A
QID#: 29,097,543

Correctly answered feedback

0.24x30=7.20
10-7.20=2.80

Incorrectly answered feedback

0.24x30=7.20
10-7.20=2.80

[Answers](#) |
 [Edit](#) |
 [Duplicate](#) |
 [Used In](#) |
 [Reorder](#)

[Remove From Test](#)

Question 14

Primary 6 Math » Primary 6 Math (Term 1)

1 pt

Mrs Siva bought $\frac{3}{5}$ kg of mutton. She used $\frac{1}{4}$ of it.
How much mutton had she left? Express your answer as a fraction.

Accepted answers:

- ✓ 9/20kg
- ✓ 9/20 kg
- ✓ 9/20

Question Type: Free Text
Date Added: Wed 22nd Sep 2021
Last Modified: N/A
QID#: 29,097,549

Correctly answered feedback

$$\frac{1}{4} \times \frac{3}{5} = \frac{3}{20} \text{ kg}$$

$$\frac{3}{5} - \frac{3}{20} = \frac{12}{20} - \frac{3}{20}$$

$$= \frac{9}{20} \text{ kg}$$

Incorrectly answered feedback

$$\frac{1}{4} \times \frac{3}{5} = \frac{3}{20} \text{ kg}$$

$$\frac{3}{5} - \frac{3}{20} = \frac{12}{20} - \frac{3}{20}$$

$$= \frac{9}{20} \text{ kg}$$

[Answers](#) | [Edit](#) | [Duplicate](#) | [Used In](#) | [Reorder](#)

[Remove From Test](#)

Question 15

Primary 6 Math » Primary 6 Math (Term 1)

1 pt

In a 6-km run, a runner runs past a cone at every $\frac{7}{8}$ km indicating the distance he has completed. There is a cone at the beginning and also at the end of the race. How many cones does the runner need to run past to complete the 6-km run?

Accepted answers:

✓ 8

Question Type: Free Text

Date Added: Wed 22nd Sep 2021

Last Modified: N/A

QID#: 29,097,551

[Answers](#) | [Edit](#) | [Duplicate](#) | [Used In](#) | [Reorder](#)

[Remove From Test](#)

Question 16

Primary 6 Math » Primary 6 Math (Term 1)

1 pt

When a shop sold each plastic file for \$6, Zainal could buy 10 files with his money. The shop now sells the file at a 20% discount. What is the maximum number of files Zainal can buy with the same amount of money?

Accepted answers:

✓ 12

Question Type: Free Text

Date Added: Wed 22nd Sep 2021

Last Modified: Wed 22nd Sep 2021

QID#: 29,097,555

Correctly answered feedback

$$\frac{80}{100} \times 6 = \frac{240}{50}$$

$$= 4\frac{40}{50}$$

$$= 4\frac{4}{5}$$

$$= \$4.80$$

$$\$6 \times 10 = \$60$$

$$\$60 \div \$4.80 = 12$$

Incorrectly answered feedback

$$\frac{80}{100} \times 6 = \frac{240}{50}$$

$$= 4\frac{40}{50}$$

$$= 4\frac{4}{5}$$

$$= \$4.80$$

$$\$6 \times 10 = \$60$$

$$\$60 \div \$4.80 = 12$$

[Answers](#) |
 [Edit](#) |
 [Duplicate](#) |
 [Used In](#) |
 [Reorder](#)

[Remove From Test](#)

Question 17

Primary 6 Math » Primary 6 Math (Term 1)

1 pt

Ray bought 100 oranges and 40 pears for his friends. He divided the oranges equally among them and had 15 oranges left. Then, he divided as many pears as possible among them and had 6 pears left. How many friends were there?

Accepted answers:

✓ 17

Question Type: Free Text

Date Added: Wed 22nd Sep 2021

Last Modified: N/A
 QID#: 29,097,564

Correctly answered feedback

100-15=85
 25-5=20
 40-6=34
 34÷2=17

Incorrectly answered feedback

100-15=85
 25-5=20
 40-6=34
 34÷2=17

[Answers](#) | [Edit](#) | [Duplicate](#) | [Used In](#) | [Reorder](#)

[Remove From Test](#)

Question 18

Primary 6 Math » Primary 6 Math (Term 1)

1 pt

Amin mixed 2.05 l of orange juice with $\frac{3}{5}$ l of lemon juice.
 What was the total volume of the mixture of juices?
 Give your answer in millilitres.

Accepted answers:

- ✓ 2650ml
- ✓ 2650 ml
- ✓ 2650

Question Type: Free Text
Date Added: Wed 22nd Sep 2021
Last Modified: N/A
QID#: 29,097,571

Correctly answered feedback

$\frac{3}{5} \times 1000 = 600$
 $2.05 \times 1000 = 2050$
 $2050 + 600 = 2650$

Incorrectly answered feedback

$\frac{3}{5} \times 1000 = 600$
 $2.05 \times 1000 = 2050$
 $2050 + 600 = 2650$

[Answers](#) | [Edit](#) | [Duplicate](#) | [Used In](#) | [Reorder](#)

[Remove From Test](#)

Question 19

Primary 6 Math » Primary 6 Math (Term 1)

1 pt

5kg of sugar is distributed equally into 16 small bags. What is the mass of sugar in each bag? Round your answer to 2 decimal places.

Accepted answers:

- ✓ 0.31kg
- ✓ 0.31 kg
- ✓ 0.31

Question Type: Free Text
Date Added: Wed 22nd Sep 2021
Last Modified: N/A
QID#: 29,097,576

Correctly answered feedback

$5 \div 16 = 0.3125$
 $= 0.31$

Incorrectly answered feedback

$5 \div 16 = 0.3125$
 $= 0.31$

[↗ Answers](#) | [✎ Edit](#) | [📄 Duplicate](#) | [📌 Used In](#) | [⬇ Reorder](#)

[Remove From Test](#)

Question 20

Primary 6 Math » Primary 6 Math (Term 1)

1 pt

Nora spent 70% of her money on a bag and $\frac{3}{8}$ of the remainder on a purse.
What percentage of her money did she spend on the purse?

Accepted answers:

- ✓ 11.25%
- ✓ 11.25 %
- ✓ 11.25

Question Type: Free Text
Date Added: Wed 22nd Sep 2021
Last Modified: N/A
QID#: 29,097,581

Correctly answered feedback

100-70=30
 1u=30+8=3.75
 purse = 3.75x3 = 11.25

Incorrectly answered feedback

100-70=30
 1u=30+8=3.75
 purse = 3.75x3 = 11.25

[Answers](#) | [Edit](#) | [Duplicate](#) | [Used In](#) | [Reorder](#)

[Remove From Test](#)

Question 21

Primary 6 Math » Primary 6 Math (Term 1)

1 pt

Jay had \$k. Richard had $\$(2k-17)$. Mary had 3 times as much money as Jay. The three of them pooled all their money together to buy a gift for their mother.

a) What was the price of the gift. Express your answer in terms of k.

Accepted answers:

✓ (6k-17)

Question Type: Free Text
Date Added: Wed 22nd Sep 2021
Last Modified: N/A
QID#: 29,097,598

Correctly answered feedback

Mary = $k \times 3 = 3k$
 total = $k + 3k + (2k+17)$
 = $(6K+17)$

Incorrectly answered feedback

Mary = $k \times 3 = 3k$
 total = $k + 3k + (2k+17)$
 = $(6K+17)$

[Answers](#) | [Edit](#) | [Duplicate](#) | [Used In](#) | [Reorder](#)

[Remove From Test](#)

Question 22

Primary 6 Math » Primary 6 Math (Term 1)

1 pt

b) The price of the gift was \$127. How much money did Richard have at first?

Accepted answers:

✓ \$31

✓ \$ 31

✓ 31

Question Type: Free Text
Date Added: Wed 22nd Sep 2021
Last Modified: N/A
QID#: 29,097,606

Correctly answered feedback

$\$6k=127+17$
 $=144$
 $k=24$
 Richard = $24 \times 2 - 17 = 31$

Incorrectly answered feedback

$\$6k=127+17$
 $=144$
 $k=24$
 Richard = $24 \times 2 - 17 = 31$

[Answers](#) | [Edit](#) | [Duplicate](#) | [Used In](#) | [Reorder](#)

[Remove From Test](#)

Question 23

Primary 6 Math » Primary 6 Math (Term 1)

1 pt

a) Mr Chan decreased the amount of household allowance given to Mrs Chan by 24% in June. As a result, the allowance in June was \$1748. What was the original household allowance given to Mrs Chan?

Accepted answers:

- ✓ \$2300
- ✓ \$ 2300
- ✓ 2300

Question Type: Free Text
Date Added: Wed 22nd Sep 2021
Last Modified: N/A
QID#: 29,097,622

Correctly answered feedback

$100-24=76$
 $76 = 1748$
 $100= 1748/76 \times 100 = 2300$

Incorrectly answered feedback

$100-24=76$
 $76 = 1748$
 $100= 1748/76 \times 100 = 2300$

[Answers](#) | [Edit](#) | [Duplicate](#) | [Used In](#) | [Reorder](#)

[Remove From Test](#)

Question 24

Primary 6 Math » Primary 6 Math (Term 1)

1 pt

b) With the allowance of \$1748 in June, Mrs Chan spent 60% of the allowance and have part of the remainder to her daughter. In June, the allowance given to her daughter dropped by 15% from \$160. In the end, how much the allowance had Mrs Chan left in June?

Accepted answers:

- ✓ \$563.20
- ✓ \$ 563.20
- ✓ 563.20

Question Type: Free Text
Date Added: Wed 22nd Sep 2021
Last Modified: N/A
QID#: 29,097,639

Correctly answered feedback

$85 \times 160 = 136$
 mrs chan = $40 \times 1748 = 699.20$
 left = $699.20 - 136 = 563.20$

Incorrectly answered feedback

$85 \times 160 = 136$
 mrs chan = $40 \times 1748 = 699.20$
 left = $699.20 - 136 = 563.20$

[↗ Answers](#) | [✎ Edit](#) | [📄 Duplicate](#) | [📌 Used In](#) | [⬇️ Reorder](#)

[Remove From Test](#)

Question 25

Primary 6 Math » Primary 6 Math (Term 1)

1 pt

Hui Ling had \$480 at first. She used $\frac{1}{5}$ of her money to buy a pair of shoes and $\frac{5}{12}$ of the remaining money to buy a purse. How much had Hui Ling left?

Accepted answers:

- ✓ \$224
- ✓ \$ 224
- ✓ 224

Question Type: Free Text
Date Added: Wed 22nd Sep 2021
Last Modified: N/A
QID#: 29,097,647

Correctly answered feedback

$1u = 480 \div 15 = 32$
 $\text{left} = 32 \times 7 = 224$

Incorrectly answered feedback

$1u = 480 \div 15 = 32$
 $\text{left} = 32 \times 7 = 224$

[Answers](#) | [Edit](#) | [Duplicate](#) | [Used In](#) | [Reorder](#)

[Remove From Test](#)

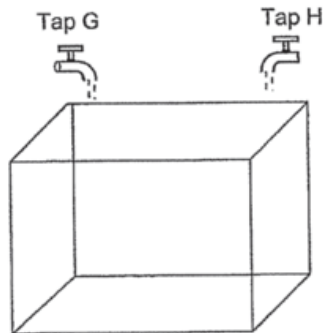
Question 26

Primary 6 Math » Primary 6 Math (Term 1)

1 pt

The figure shows an empty tank placed below 2 taps, G and H.
 It takes 18 min to fill the tank with Tap G alone and 12 min with Tap H alone.

- (a) With only Tap H turned on, what fraction of the tank will be filled in 1 min?

**Accepted answers:**

✓ 1/12

Question Type: Free Text
Date Added: Wed 22nd Sep 2021
Last Modified: N/A
QID#: 29,097,657

[Answers](#) | [Edit](#) | [Duplicate](#) | [Used In](#) | [Reorder](#)

[Remove From Test](#)

Question 27

Primary 6 Math » Primary 6 Math (Term 1)

1 pt

- (b) Starting with an empty tank, how long does it take for both taps together to fill up $\frac{1}{2}$ of the tank?

Accepted answers:

- ✓ 5/36
- ✓ 5/ 36
- ✓ 5 /36
- ✓ 5 / 36

Question Type: Free Text
Date Added: Wed 22nd Sep 2021
Last Modified: N/A
QID#: 29,097,660

Correctly answered feedback

$$\text{Tap G} - 1\text{min } \frac{1}{18}$$

$$\text{Tap H} - 1\text{min } \frac{1}{12}$$

$$1\text{min} - \text{both } \frac{1}{18} + \frac{1}{12}$$

$$= \frac{5}{36}$$

Incorrectly answered feedback

$$\text{Tap G} - 1\text{min } \frac{1}{18}$$

$$\text{Tap H} - 1\text{min } \frac{1}{12}$$

$$1\text{min} - \text{both } \frac{1}{18} + \frac{1}{12}$$

$$= \frac{5}{36}$$

[↗ Answers](#) |
 [✎ Edit](#) |
 [📄 Duplicate](#) |
 [↶ Used In](#) |
 [⬇ Reorder](#)

[Remove From Test](#)

Question 28

Primary 6 Math » Primary 6 Math (Term 1)

1 pt

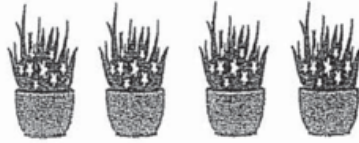
Kumar bought some potted plants at the prices shown below.

Potted plants E



3 pots for \$50

Potted plants F



4 pots for \$62

Kumar bought an equal number of potted plants E and potted plants F.
He spent \$182 less on plants F than on plants E.
How much did Kumar spend on potted plants F?

Accepted answers:

✓ 2418

Question Type: Free Text
Date Added: Wed 22nd Sep 2021
Last Modified: N/A
QID#: 29,097,663

Correctly answered feedback

$$1 \text{ plant} + E - \frac{50}{3}$$

$$1 \text{ plant} + F - \frac{62}{4}$$

$$\begin{aligned} \text{plant E} - \text{plant F} &= \frac{50}{3} - \frac{62}{4} \\ &= 1 \frac{1}{6} \end{aligned}$$

$$\begin{aligned} \text{NO. Of Groups} &= 182 \div 1 \frac{1}{6} \\ &= 156 \end{aligned}$$

$$\begin{aligned} \text{plant F} &= 156 \div 4 \times 62 \\ &= 2418 \end{aligned}$$

Incorrectly answered feedback

$$1 \text{ plant} + E - \frac{50}{3}$$

$$1 \text{ plant} + F - \frac{62}{4}$$

$$\text{plant E} - \text{plant F} - \frac{50}{3} - \frac{62}{4}$$

$$= 1 \frac{1}{6}$$

$$\text{NO. Of Groups} - 182 \div 1 \frac{1}{6}$$

$$= 156$$

$$\text{plant F} - 156 \div 4 \times 62$$

$$= 2418$$

[Answers](#) |
 [Edit](#) |
 [Duplicate](#) |
 [Used In](#) |
 [Reorder](#)

[Remove From Test](#)